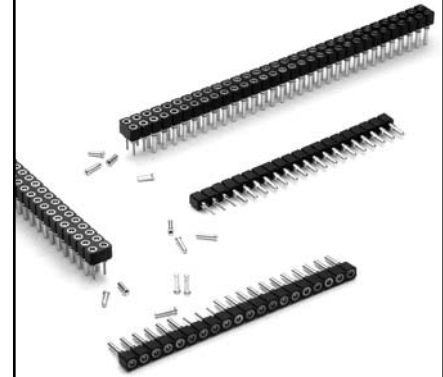




Fig. 1

- Ultra low profile receptacles sit .018" above the board.
- Series 714 uses MM #0552-1 and MM #0552-2 pin receptacles. See page 127 for details.
- Hi-Rel, 3-finger BeCu #11 contact is rated at 3 amps. See page 206 for details.
- Insulators are high temp. thermoplastic.



Ordering Information

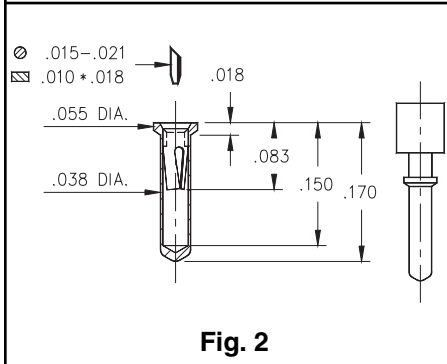


Fig. 2

Fig. 1

Single Row (.039 min. mounting hole)

714-XX-1__-31-012000
Specify # of pins → 01-64

Fig. 2

Single Row (.039 min. mounting hole)

714-XX-1__-31-018000
Specify # of pins → 01-64

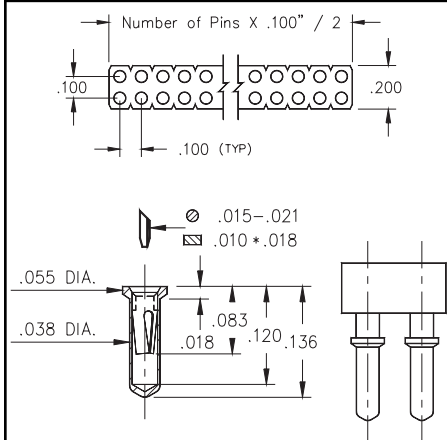


Fig. 3

Fig. 3

Double Row (.039 min. mounting hole)

714-XX-2__-31-012000
Specify # of pins → 02-64

Fig. 4

Double Row (.039 min. mounting hole)

714-XX-2__-31-018000
Specify # of pins → 02-64



Fig. 4



XX=Plating Code See Below

For RoHS compliance select \diamond plating code.

SPECIFY PLATING CODE XX=	13 \diamond	93	99	43 \diamond	44 \diamond
Sleeve (Pin)	10 μ " Au	200 μ " Sn/Pb	200 μ " Sn/Pb	200 μ " Sn	200 μ " Sn
Contact (Clip)	30 μ " Au	30 μ " Au	200 μ " Sn/Pb	30 μ " Au	200 μ " Sn